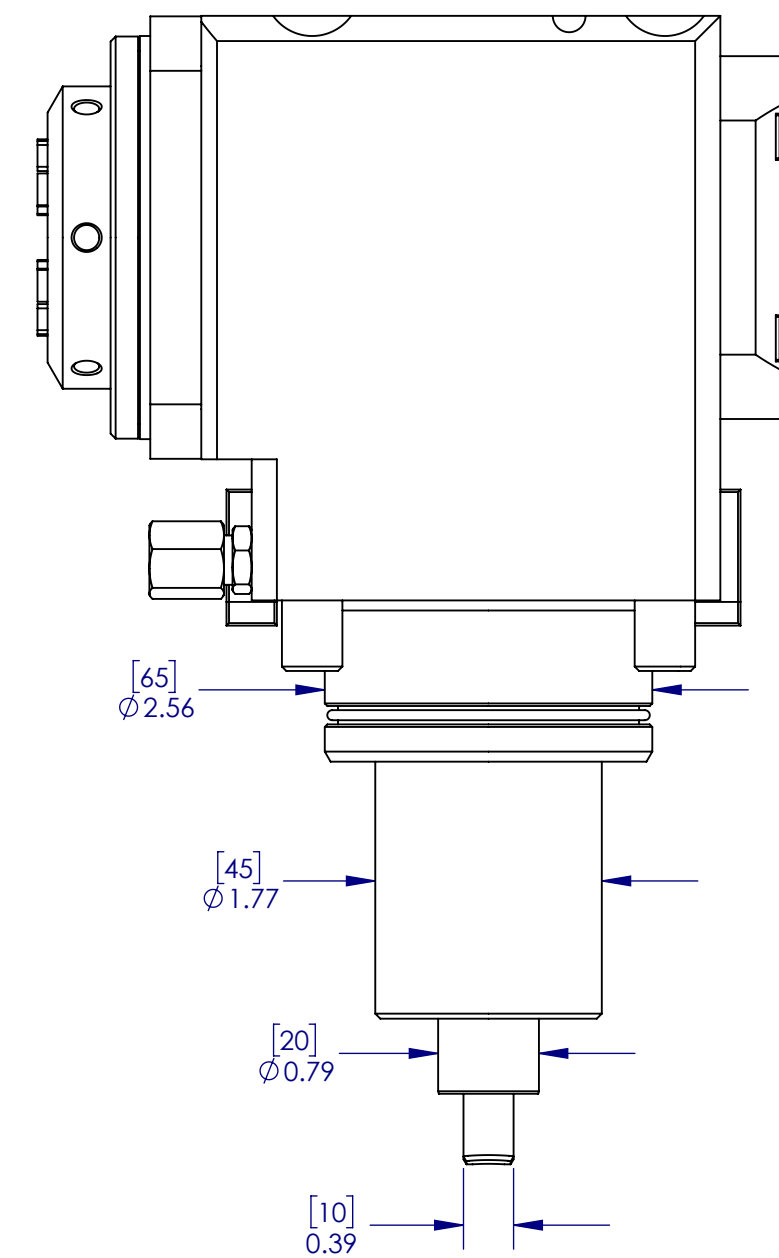
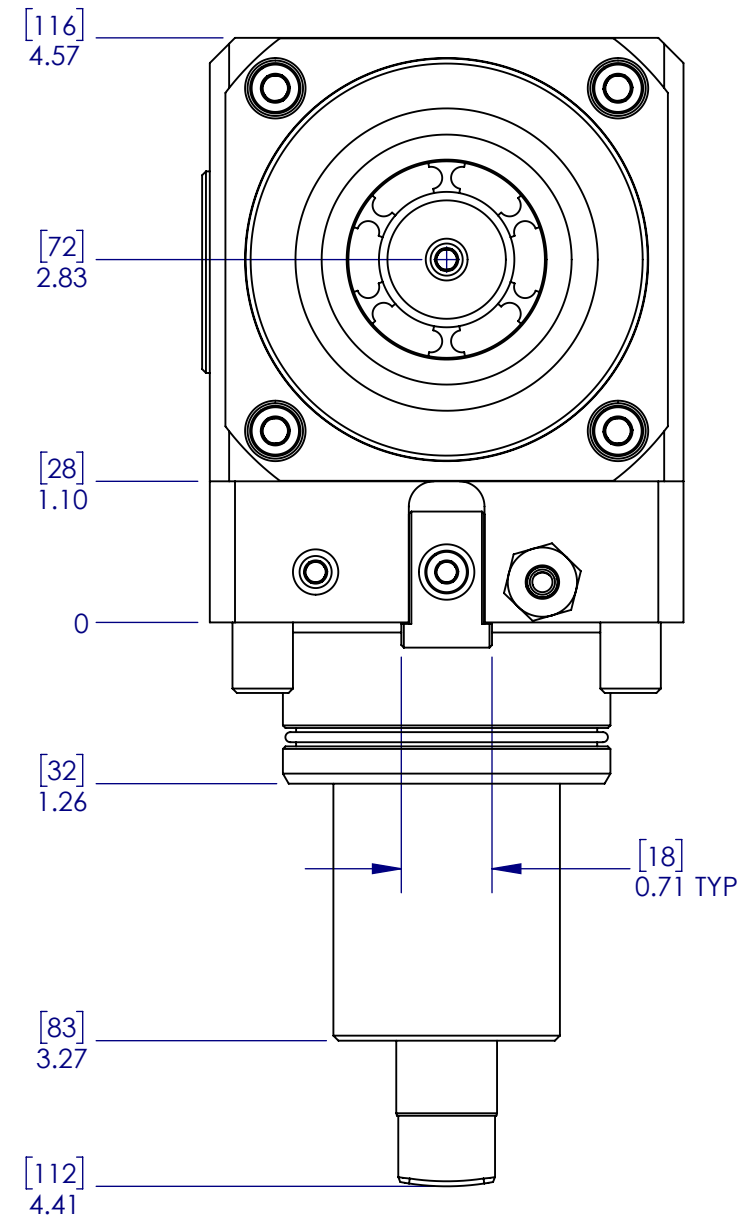
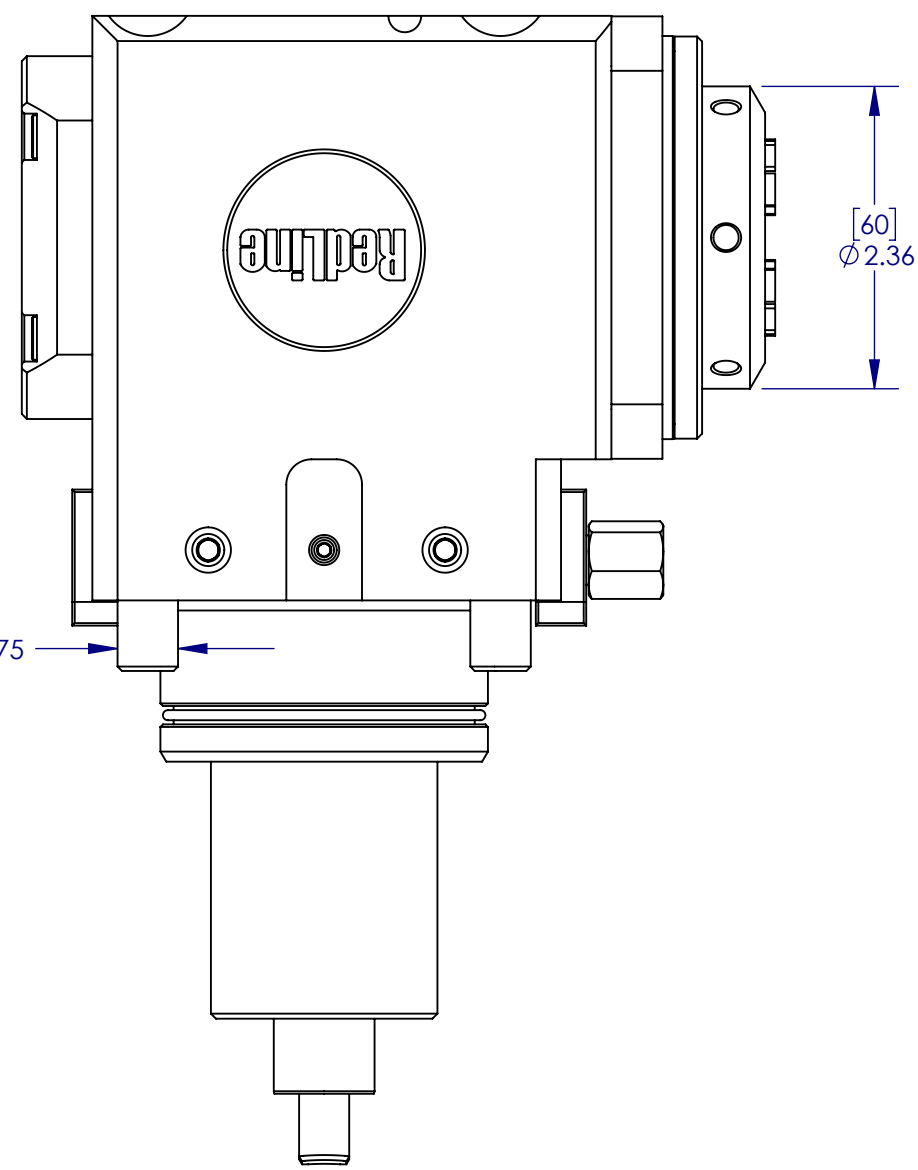
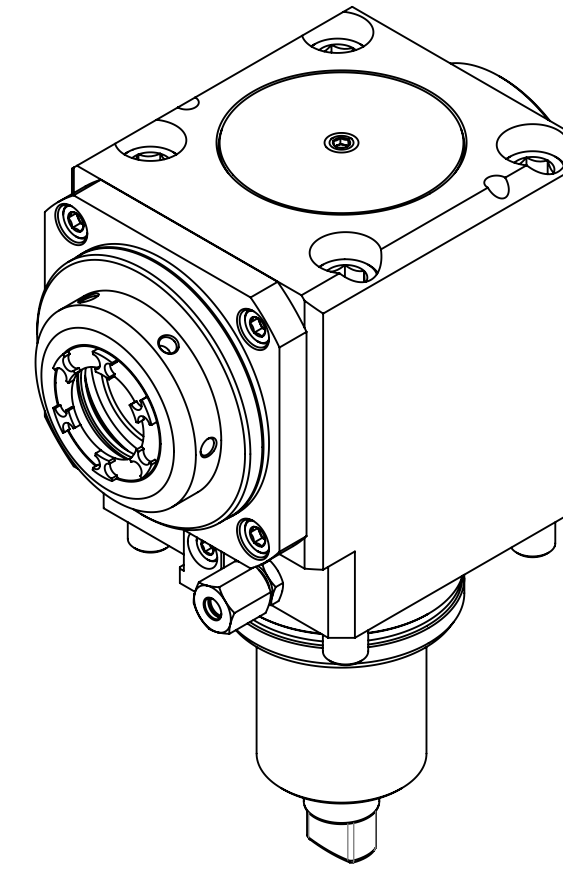
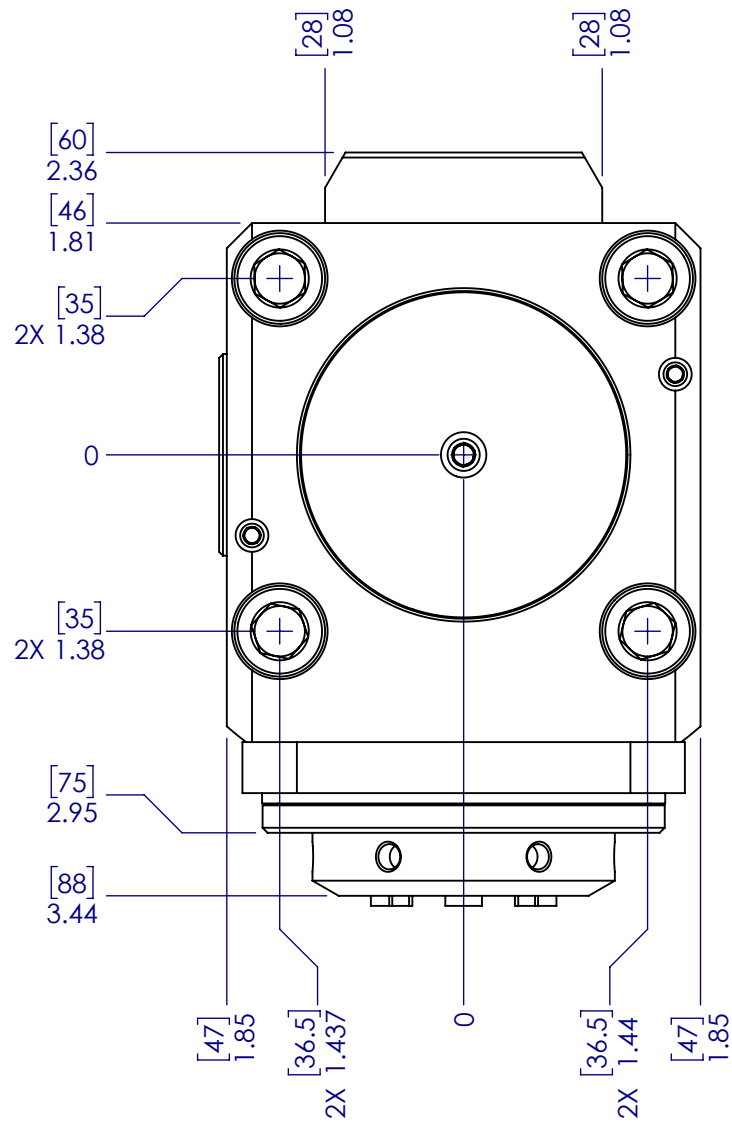
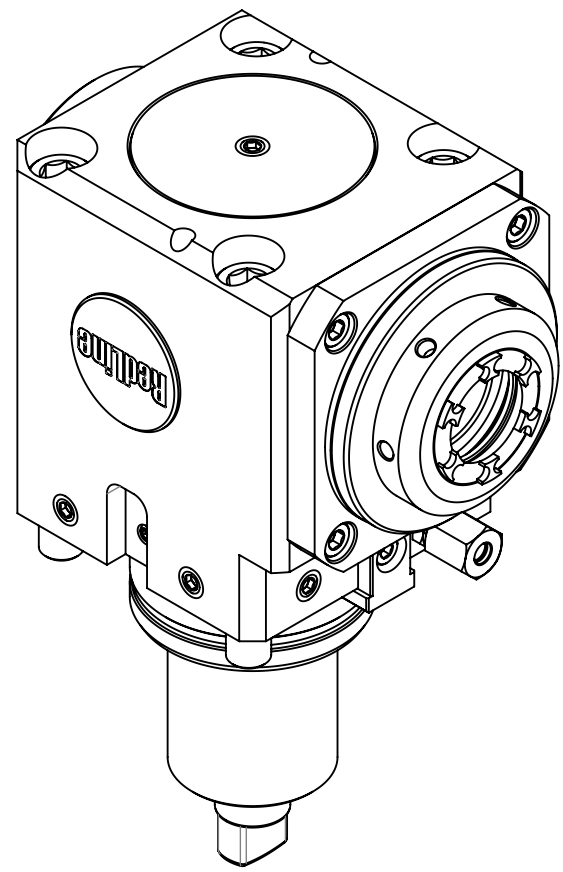


REVISION	DESCRIPTION OF CHANGE	DATE	ECO NUMBER	APPROVED BY
PRE-01	INITIAL DESIGN	11/28/2017	-	



**SPECIFICATIONS:**

- ER32 COLLET SIZE
- 1:1 DRIVE RATIO
- 6,000 MAX RPM
- 50Nm MAX TORQUE

<b>RedLine</b>		DRAWING NUMBER <b>OMW-11652</b>	
		DESCRIPTION <b>BMT65 INT ER32 RDMH 112MM AGL</b>	
PART NUMBER <b>RHRB65A32</b>		REV. <b>PRE-01</b>	
DRAWN BY	DATE <b>11/28/2017</b>	DESIGN STATUS <b>PRE-PRODUCTION</b>	SCALE <b>2:3</b>
PRICE DRAWING NUMBERS <b>N/A</b>	WEIGHT <b>23.94 LBS.</b>	PROCESS STATE <b>FINISHED ASSEMBLY</b>	SIZE <b>C</b>
			SHEET <b>1 of 1</b>