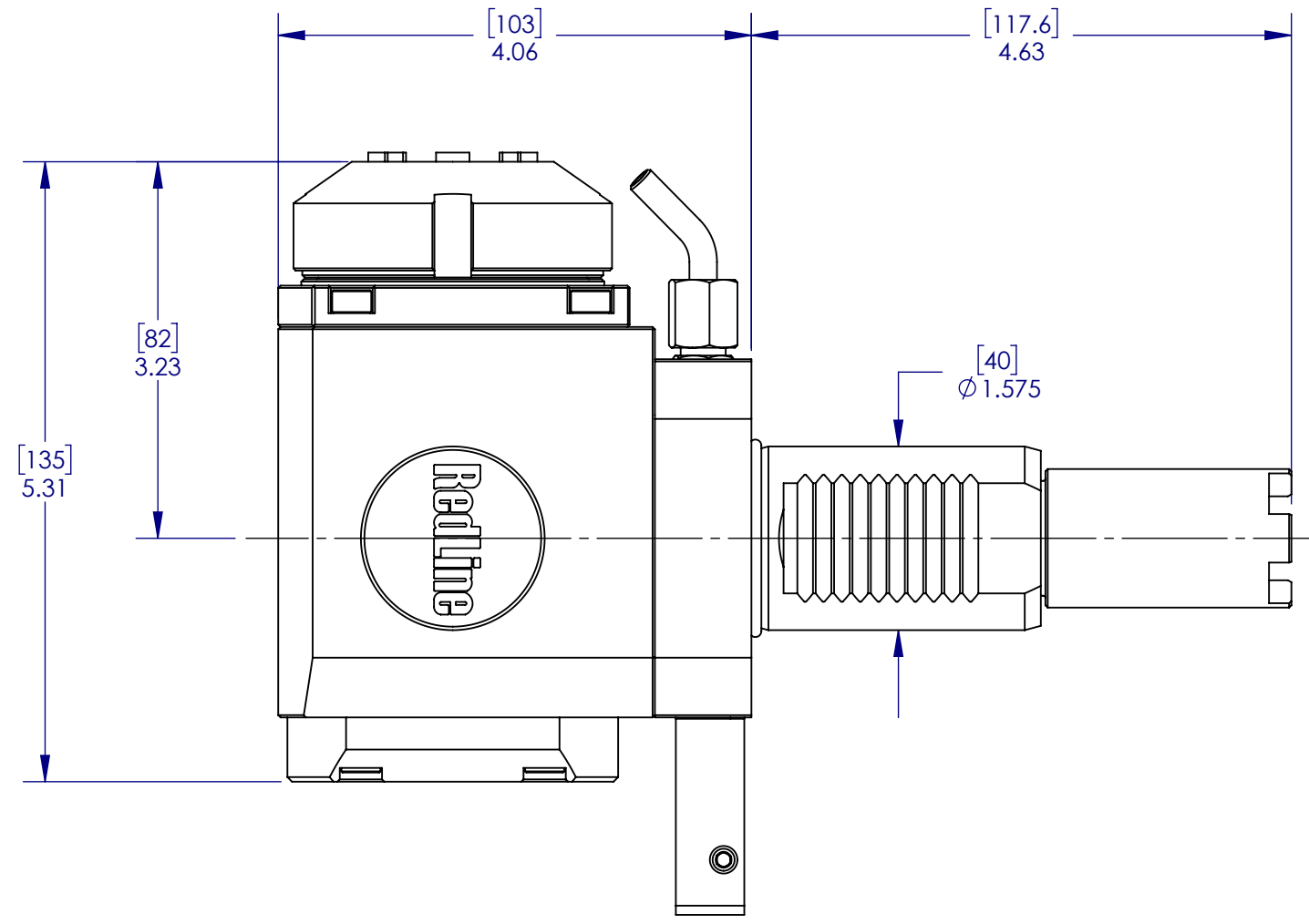
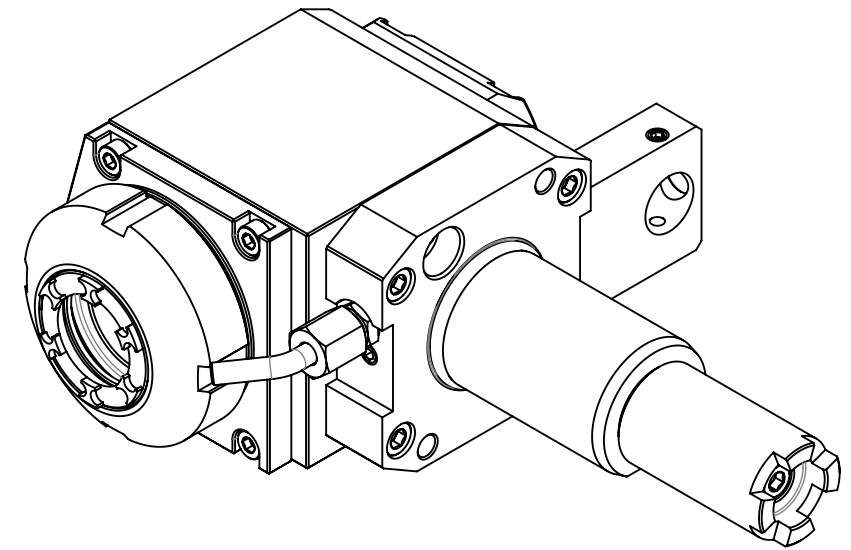
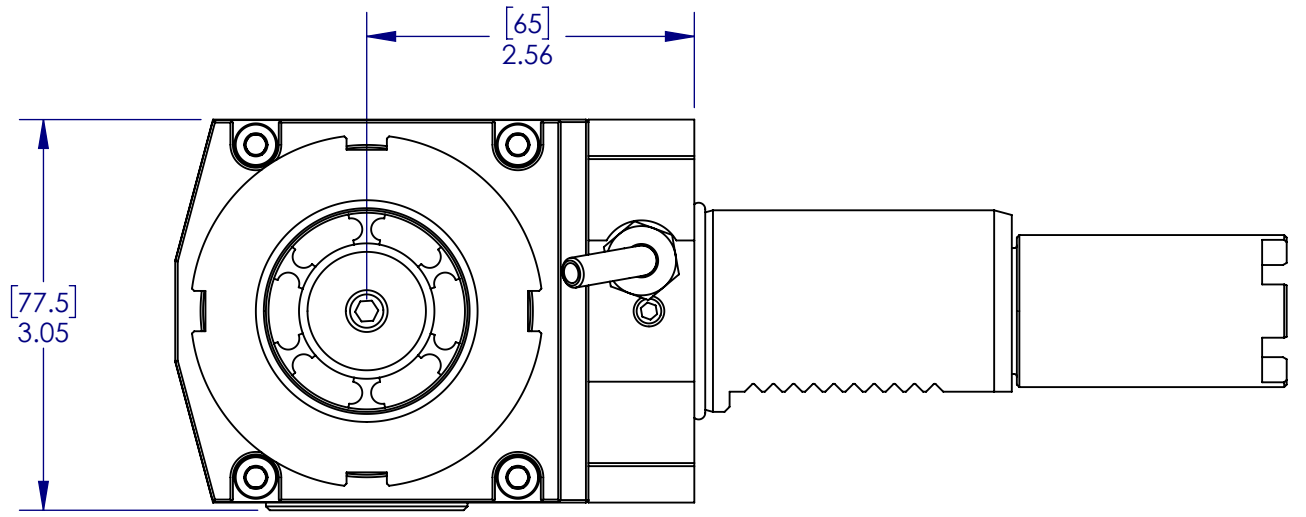


DRAWING NUMBER **OMW-11554**

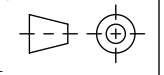
REVISION	DESCRIPTION OF CHANGE	DATE	ECO NUMBER	APPROVED BY
PRE-04	UPDATED BRASS PLUG	12/20/2018	-	



**UNLESS OTHERWISE SPECIFIED:**

- 1 DECIMAL X.X ± 0.1
- 2 DECIMAL X.XX ± 0.01
- 3 DECIMAL X.XXX ± 0.005
- 4 DECIMAL X.XXXX ± 0.0005
- ANGULAR X.° ± 5.0°
- ANGULAR X.X° ± 0.5°

INTERPRET DRAWING PER MIL-STD-100  
 INTERPRET DIMENSIONS AND TOLERANCES PER ASME Y14.5M-1994  
 PRIMARY DIMENSIONS ARE IN INCHES  
 DIMENSIONS SHOWN IN [BRACKETS] ARE IN MM  
 DIMENSIONS SHOWN IN (PARENTHESIS) FOR REFERENCE ONLY  
 BREAK AND DEBURR ALL SHARP EDGES



DRAWING NUMBER		<b>OMW-11554</b>	
DESCRIPTION		<b>VDI40 INT ER32 60-RDMH 117.55MM AGL</b>	
PART NUMBER		<b>RHRLT11832ICW</b>	
DRAWN BY	DATE	DESIGN STATUS	REV.
	04/14/2017	PRE-PRODUCTION	PRE-04
PRIOR DRAWING NUMBERS	WEIGHT	PROCESS STATE	SCALE
N/A	N/A	FINISHED ASSEMBLY	2:3
	SIZE	SHEET	
	<b>B</b>	<b>1 OF 1</b>	