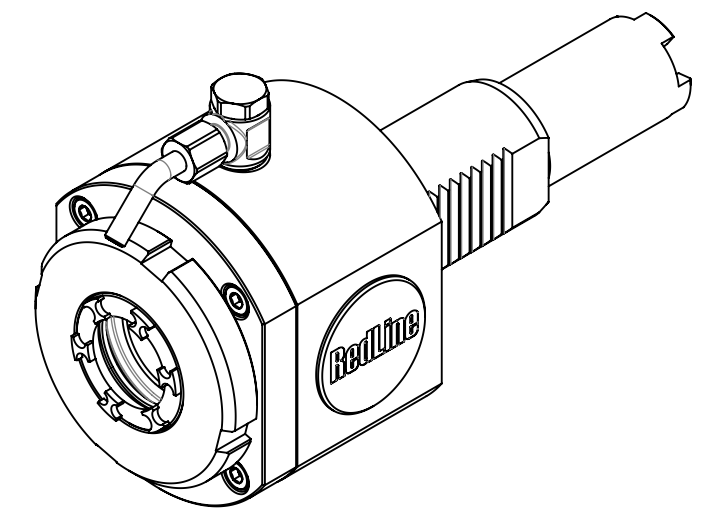
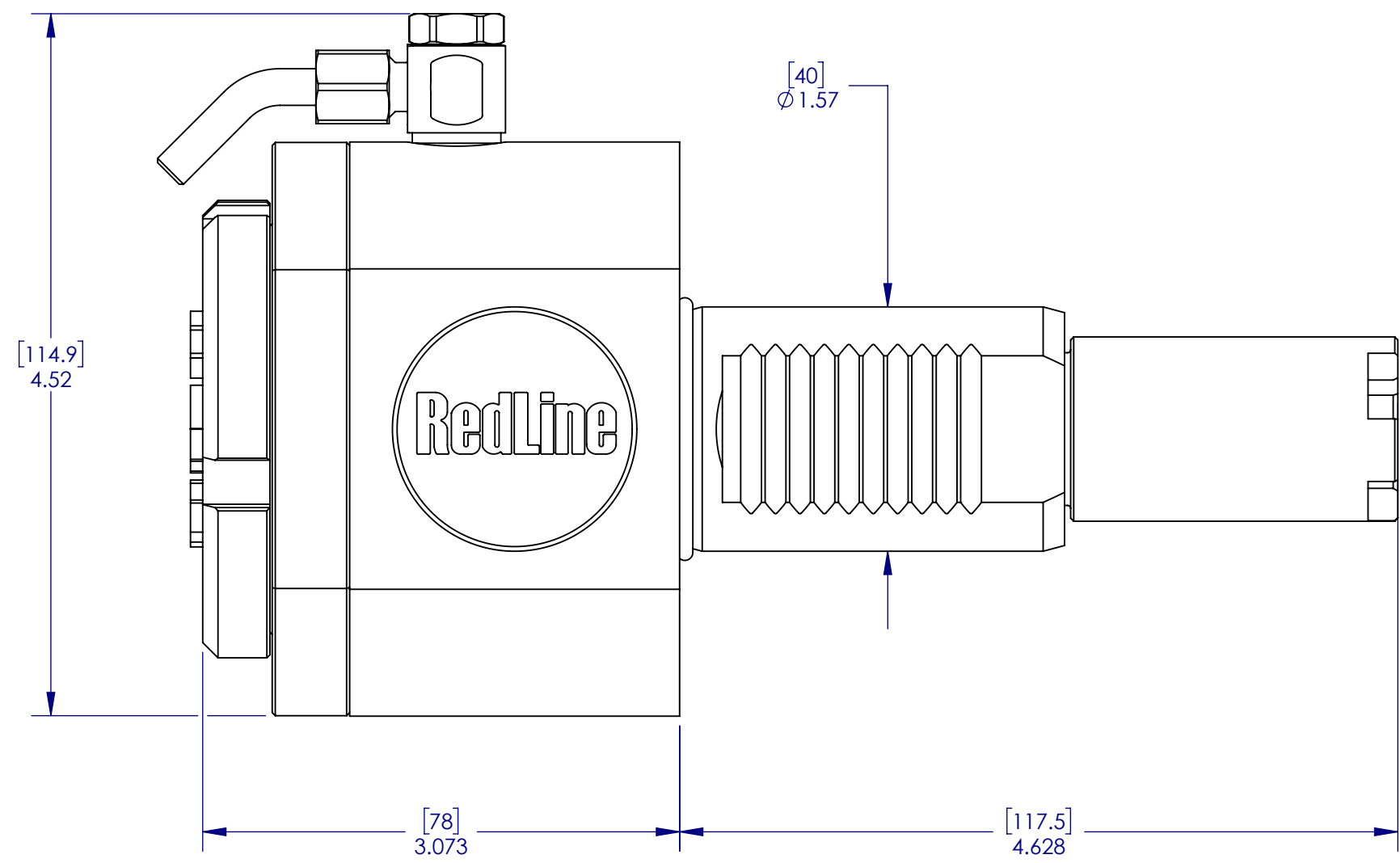


DRAWING NUMBER
OMW-11243

REVISION	DESCRIPTION OF CHANGE	DATE	ECO NUMBER	APPROVED BY
PRE-03	UPDATED COMPONENTS	07/11/2018	-	



RedLine	DRAWING NUMBER OMW-11243		
	DESCRIPTION VDI40 INT ER32 40-ADMH 117.55MM AGL		
PART NUMBER RHALT11832I			
DRAWN BY	DATE 02/11/2016	DESIGN STATUS PRE-PRODUCTION	REV. PRE-03
PRIOR DRAWING NUMBERS N/A	WEIGHT N/A	PROCESS STATE FINISHED ASSEMBLY	SCALE 1:1
SIZE B			SHEET 1 OF 1