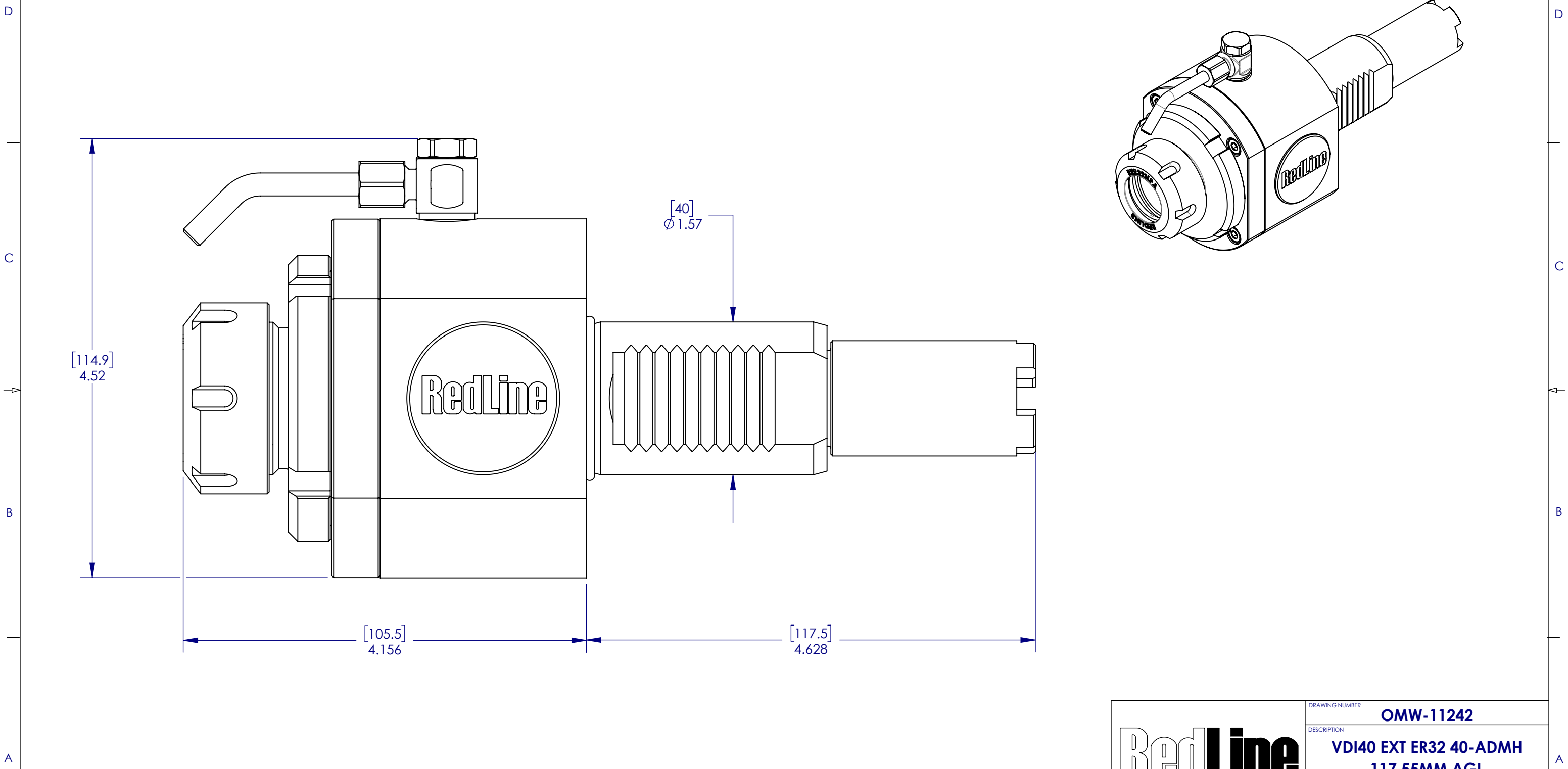


DRAWING NUMBER
OMW-11242

REVISION	DESCRIPTION OF CHANGE	DATE	ECO NUMBER	APPROVED BY
A-01	UPDATED COMPONENTS	07/11/2018	-	



RedLine	DRAWING NUMBER OMW-11242	
	DESCRIPTION VDI40 EXT ER32 40-ADMH 117.55MM AGL	
PART NUMBER RHALT1832		
DRAWN BY	DATE 02/15/2016	DESIGN STATUS POST-RELEASED CHANGE
PRIOR DRAWING NUMBERS N/A	WEIGHT N/A	PROCESS STATE FINISHED ASSEMBLY
SIZE B		REV. A-01
SHEET 1 OF 1		SCALE 1:1