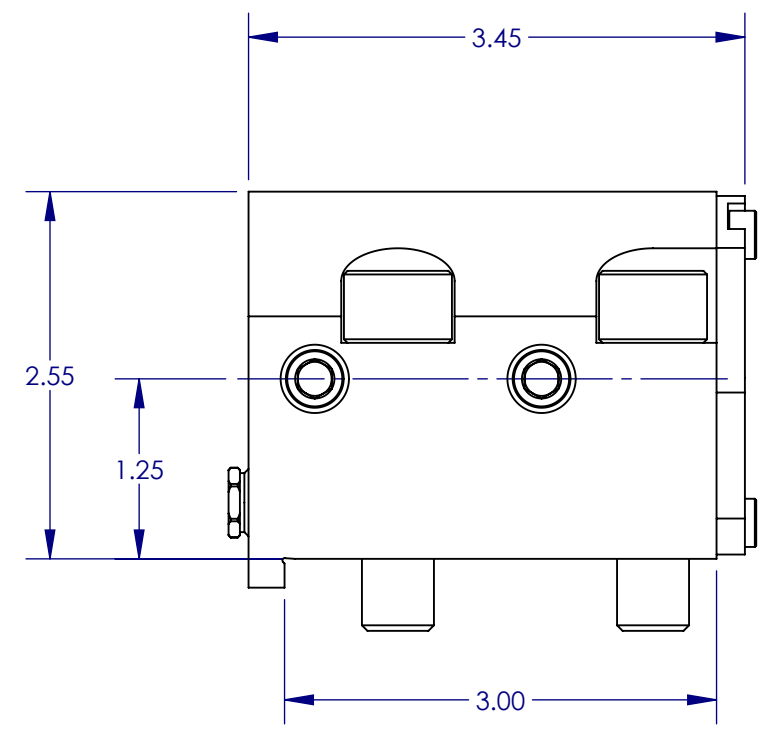
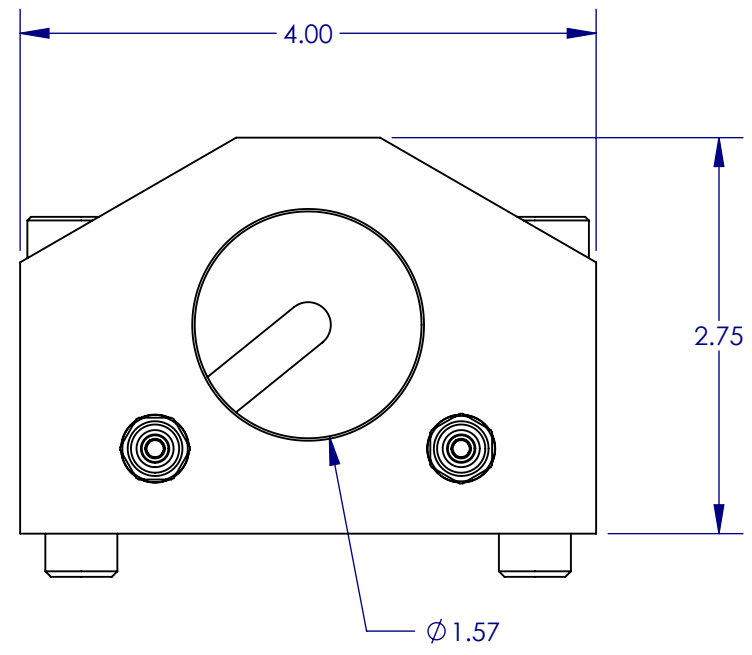
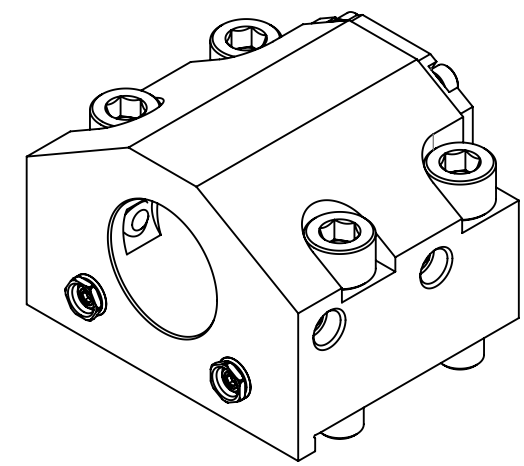
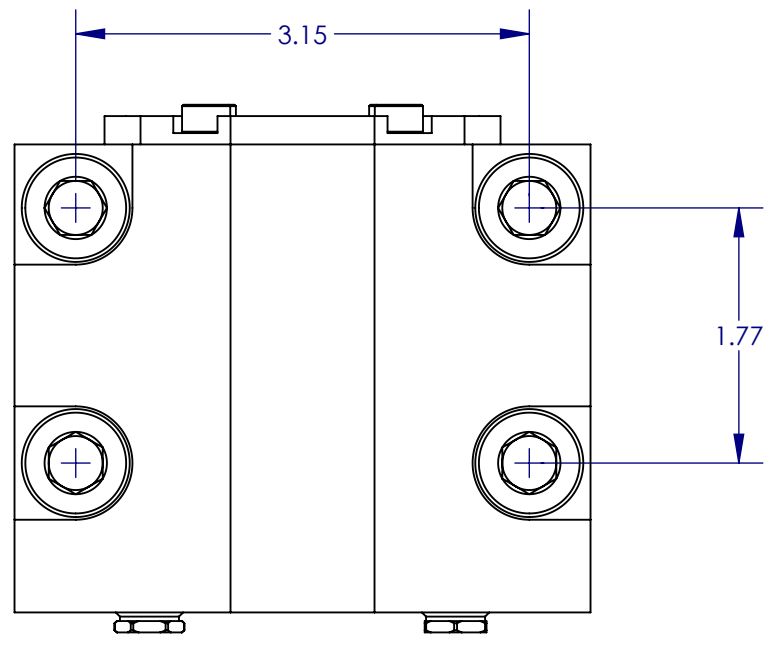


DRAWING NUMBER
OMW-11117

REVISION	DESCRIPTION OF CHANGE	DATE	ECO NUMBER	APPROVED BY
PRE-01	INITIAL DESIGN	03/10/2016	-	



RedLine		DRAWING NUMBER OMW-11117	
		DESCRIPTION 40MM ID BBH	
		PART NUMBER RBOT20MID40MM	
DRAWN BY	DATE 11/16/2015	DESIGN STATUS PRE-PRODUCTION	REV. PRE-01
PRIOR DRAWING NUMBERS N/A	WEIGHT N/A	PROCESS STATE FINISHED ASSEMBLY	SCALE 3:4
			SIZE B
			SHEET 1 OF 1