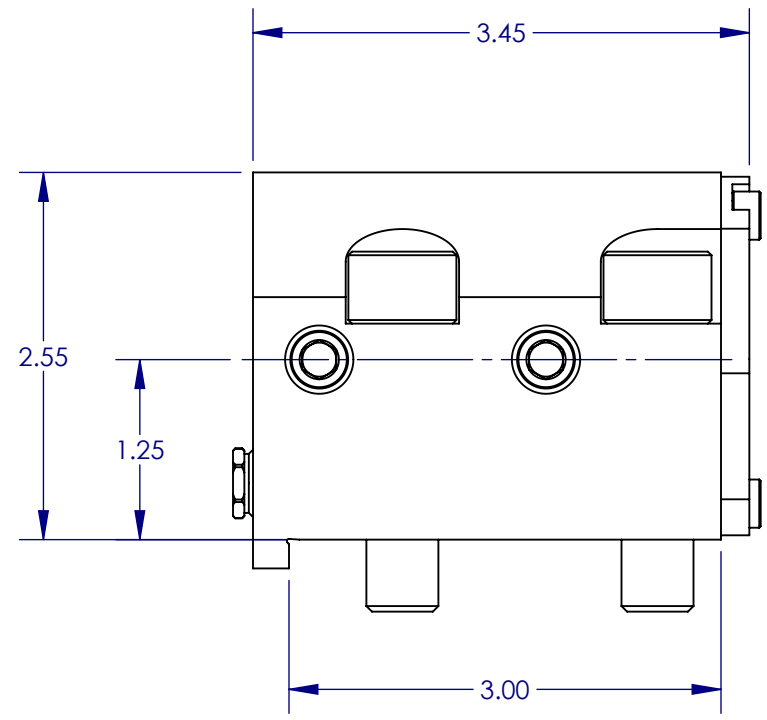
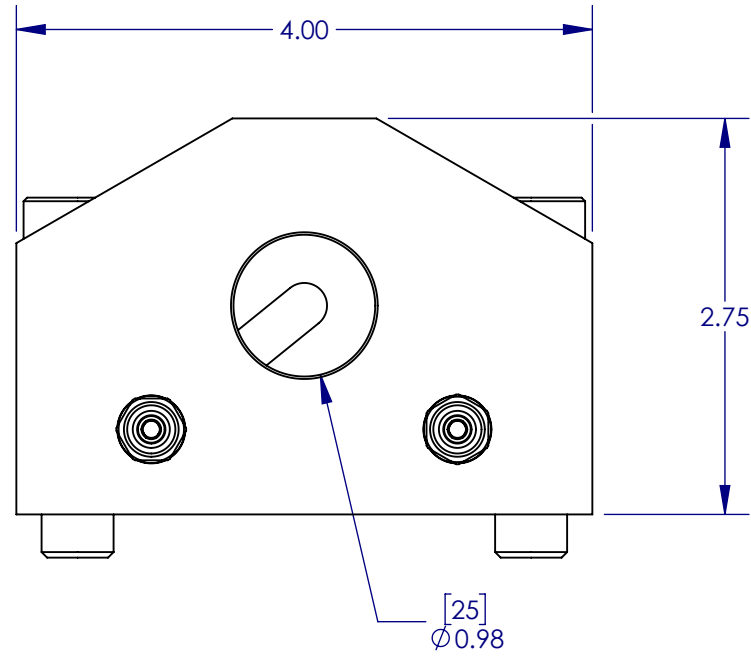
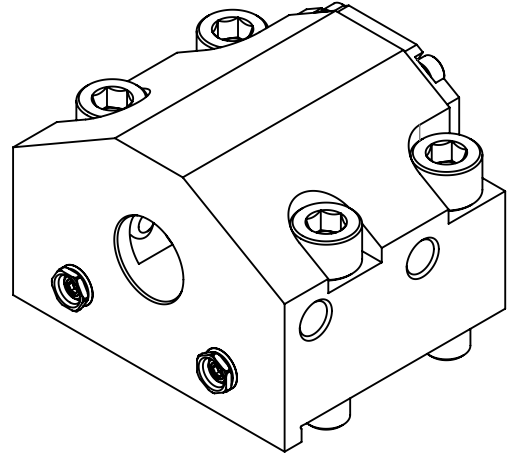
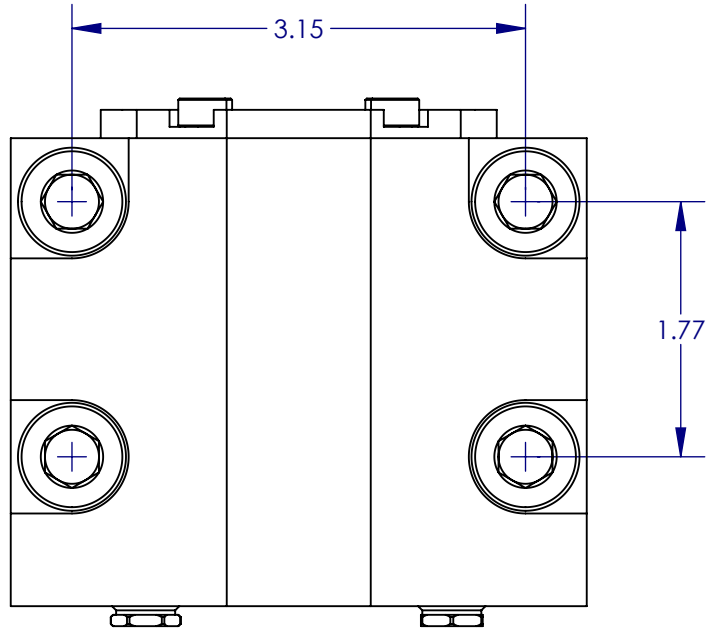


DRAWING NUMBER **OMW-11111**

REVISION	DESCRIPTION OF CHANGE	DATE	ECO NUMBER	APPROVED BY
PRE-01	INITIAL DESIGN	11/16/2015	-	



RedLine	DRAWING NUMBER OMW-11111	
	DESCRIPTION 25MM ID BBH	
PART NUMBER RBOT20MID25MM		
DRAWN BY	DATE 11/16/2015	DESIGN STATUS PRE-PRODUCTION
PRIOR DRAWING NUMBERS	WEIGHT N/A	PROCESS STATE FINISHED ASSEMBLY
SIZE B		SCALE 3:4
SHEET 1 OF 1		REV. PRE-01